

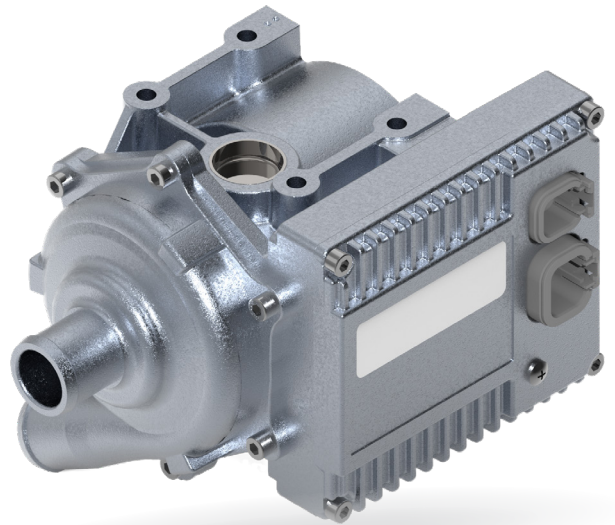
Stainless steel construction

Integrated motor drive controller

Long-life brushless DC motor

Variable Flow & Pressure

CSA and E-Mark Certified

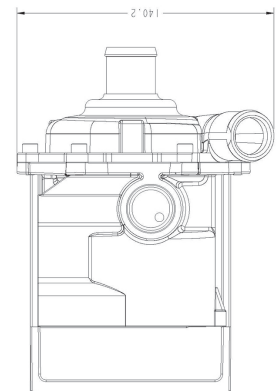
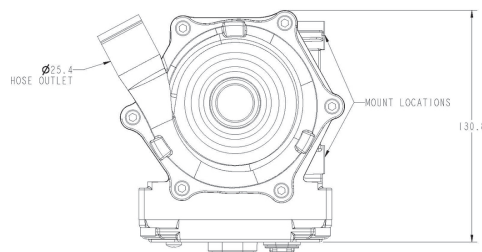
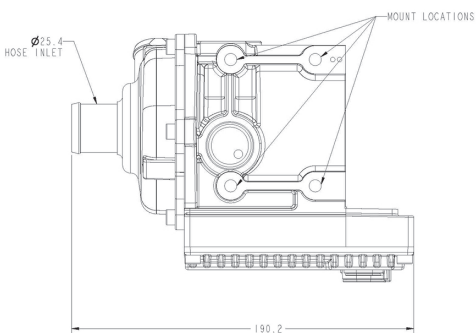


COOLING APPLICATIONS

Fuel Cell	EGR
Traction Motor	CAC
Hybrid Battery Pack	Electronics
Hydraulic	HVAC

BRUSHLESS DC WATER PUMP

The WP32 is a high performance, long life, severe duty electric water pump used in cooling systems in extreme environments. It is used in the transit bus market, off road applications, power grid battery cooling, stationary power generation and roof mounted cooling systems.



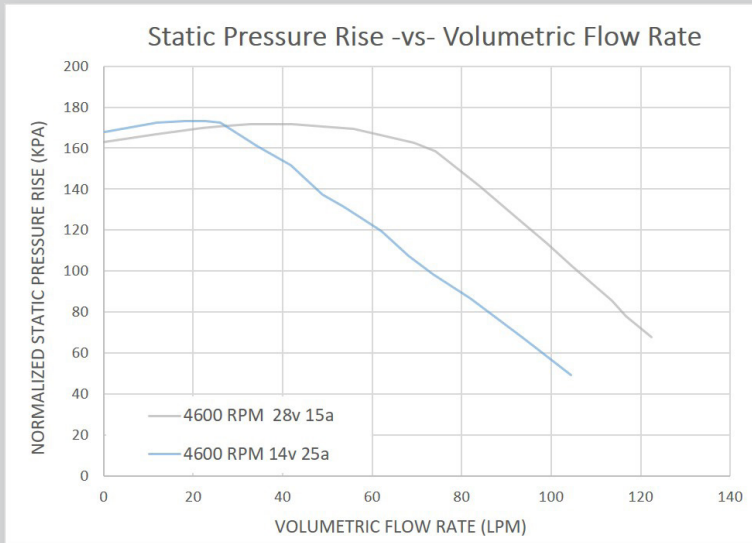
WATER PUMP FEATURES

- Fully controllable single speed
- High efficiency design
- 12 or 24 volt models
- Corrosion and water resistant
- Compact and quiet
- Ease of integration

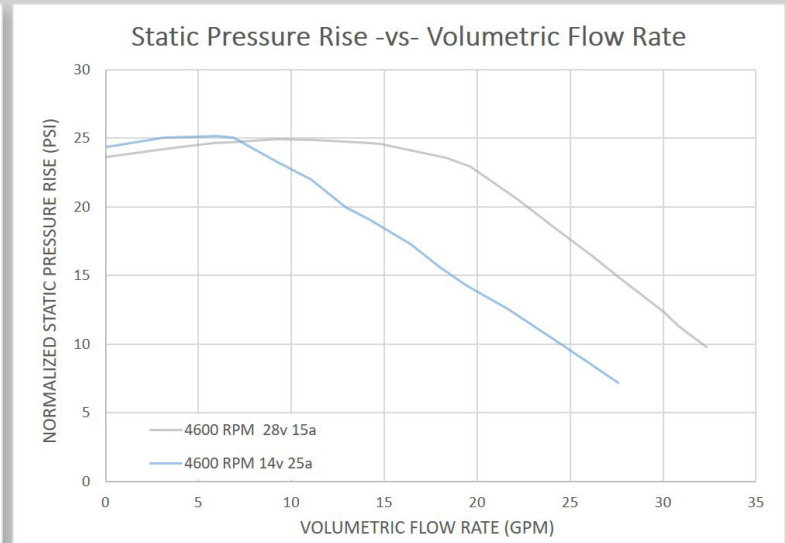
SPECIFICATIONS

Rated Voltage	9-18 VDC or 18-32 VDC
Operating Temperature	-40° to 95°C
Storage Temperature	-40° to 125°C
Controlled or single speed	CAN
Power & Enable	DTP06-4S-E003
CAN & RS232	DTP06-4S-E003

PERFORMANCE



METRIC



US

CONTROLLER FEATURES

- Configurable through EMPower Connect™ service tool
- Behaves as an on/off controller in absence of CAN
- Full variable control by: CAN SAE J1939
- Protected from transients, short circuit, and reverse battery
- Diagnostic capability

SPECIFICATIONS

Power Supply	12 VDC -or- 24VDC
Weight	6.5lbs
Inlet Connection	1.0" hose
Outlet Connection	1.0" hose
Target Life	20,000
Temperatur Range	-40 to 95 C
Housing Construction	Cast 413 Aluminum